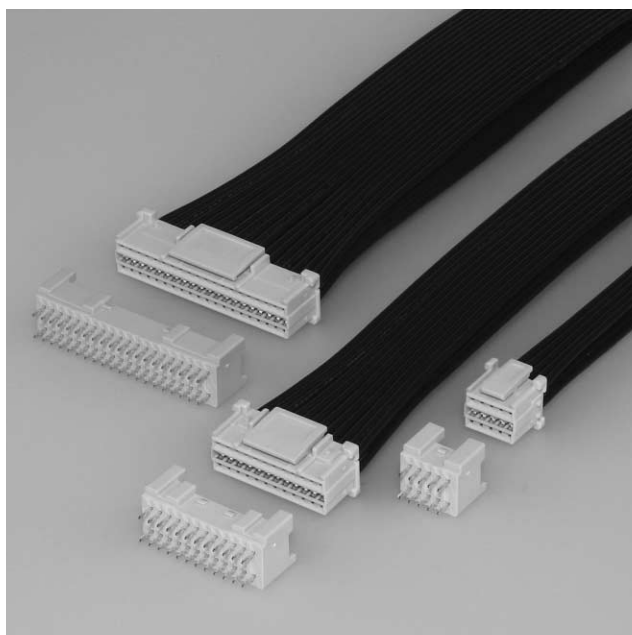
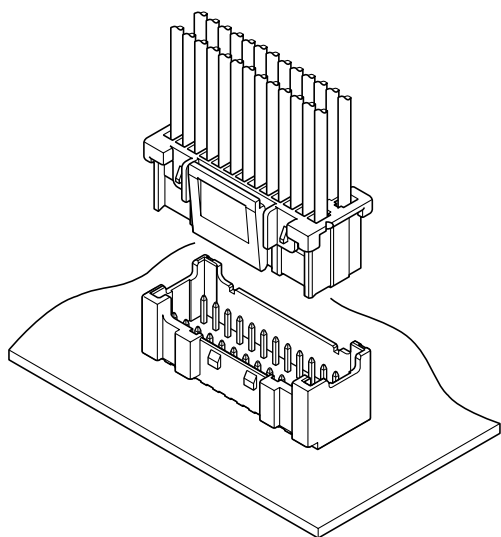


# PND CONNECTOR

*Disconnectable Crimp style connectors*



**Responding to the needs of market, the high-density dipping type connector with secure lock for wire to board connection is newly developed and enabled to achieve excellent workability and withstand the unexpected external force.**



## Features

### • **Excellent workability (Low insertion force)**

As compared with our existing PAD connector, approx. 15% of low insertion force is realized. As the edges of housing are chamfered roundly, a finger-friendly, insertion-easy, lock releasing-easy and extraction-easy connector is provided.

### • **Withstanding external force and secure locking device**

Header has four shrouded high walls and secure locking device, and by these synergistic effects it is thoroughgoing to unexpected external force due to prying or the routing of wires during assembly process.

### • **Countermeasure for inverse insertion and mismatching insertion**

Providing mating key for each circuit-numbers, neither inverse insertion nor mismatching insertion occurs completely.

### • **High density**

Designing in consideration of solder bridge, this dipping type 2.0mm (.079") pitch dual-row {5.0mm (.197") pitch between rows} construction allows the high-density mounting and it already corresponds to lead-free requirement.

### • **Polarizing boss**

Headers with polarizing bosses are also available to prevent incorrect assembling to PC board.

## Specifications

- Current rating: 3A AC, DC (AWG #22)
  - Voltage rating: 250V AC, DC
  - Temperature range: -25°C to +85°C  
(including temperature rise in applying electrical current)
  - Contact resistance: Initial value/10m Ω max.  
After environmental testing/20m Ω max.
  - Insulation resistance: 1,000M Ω min.
  - Withstanding voltage: 800V AC/minute
  - Applicable wire: AWG #28 to #22
- \* Refer to "General Instruction and Notice when using Terminals and Connectors" at the end of this catalog.  
\* Contact JST for details.

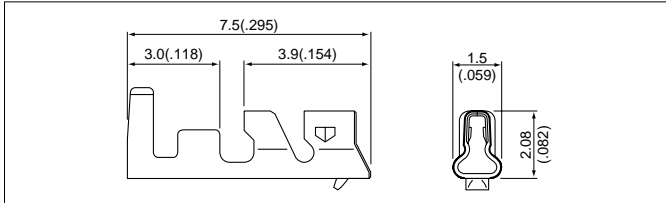
## Standards

Ⓜ Recognized E60389

Ⓢ Certified LR20812

# PND CONNECTOR

## Contact

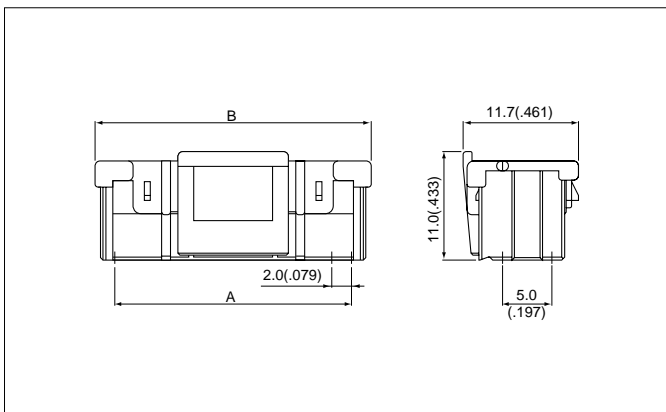


Model No.	Applicable wire		Insulation O.D. mm(in.)	Q'ty / reel
	mm <sup>2</sup>	AWG #		
<b>SPND-001T-C0.5</b>	0.13 to 0.33	26 to 22	1.0 to 1.5(.039 to .059)	8,000
<b>SPND-002T-C0.5</b>	0.08 to 0.22	28 to 24	0.8 to 1.5(.031 to .059)	8,000

### Material and Finish

Copper alloy, tin-plated

## Housing



Circuits	Model No.	Dimensions mm(in.)		Q'ty / bag
		A	B	
8	<b>PNDP-08V-Z</b>	6.0(.236)	10.0(.394)	500
10	<b>PNDP-10V-Z</b>	8.0(.315)	12.0(.472)	500
12	<b>PNDP-12V-Z</b>	10.0(.394)	14.0(.551)	500
14	<b>PNDP-14V-Z</b>	12.0(.472)	16.0(.630)	500
16	<b>PNDP-16V-Z</b>	14.0(.551)	18.0(.709)	300
18	<b>PNDP-18V-Z</b>	16.0(.630)	20.0(.787)	300
20	<b>PNDP-20V-Z</b>	18.0(.709)	22.0(.866)	300
22	<b>PNDP-22V-Z</b>	20.0(.787)	24.0(.945)	300
24	<b>PNDP-24V-Z</b>	22.0(.866)	26.0(1.024)	250
26	<b>PNDP-26V-Z</b>	24.0(.945)	28.0(1.102)	250
28	<b>PNDP-28V-Z</b>	26.0(1.024)	30.0(1.181)	250
30	<b>PNDP-30V-Z</b>	28.0(1.102)	32.0(1.260)	150
32	<b>PNDP-32V-Z</b>	30.0(1.181)	34.0(1.339)	150
34	<b>PNDP-34V-Z</b>	32.0(1.260)	36.0(1.417)	150
36	<b>PNDP-36V-Z</b>	34.0(1.339)	38.0(1.496)	100
38	<b>PNDP-38V-Z</b>	36.0(1.417)	40.0(1.575)	100
40	<b>PNDP-40V-Z</b>	38.0(1.496)	42.0(1.654)	100

### Material

Nylon 66, UL94V-0, ivory

<For reference> As the color identification, the following alphabet shall be put in the underlined part. For availability, delivery and minimum order quantity, contact JST.

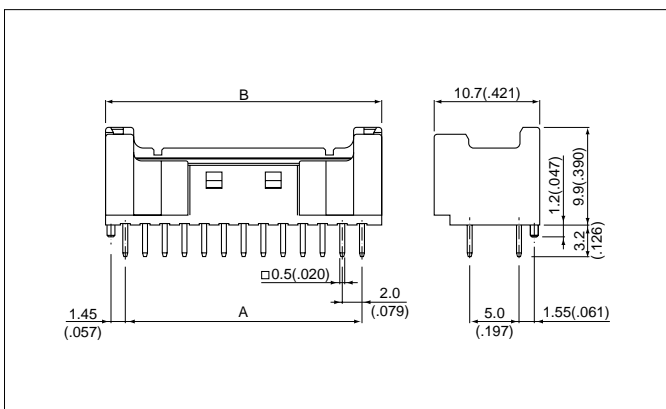
ex. **PNDP-28V-Z**

Z...ivory

K...black R...red E...blue M...green N...brown PK...pink

D...orange

## Shrouded header



Circuits	Model No.		Dimensions mm(in.)		Q'ty / box
	With bosses	Without bosses	A	B	
8	<b>B08B-PNDZS-1</b>	<b>B08B-PNDZS</b>	6.0(.236)	10.0(.394)	736
10	<b>B10B-PNDZS-1</b>	<b>B10B-PNDZS</b>	8.0(.315)	12.0(.472)	608
12	<b>B12B-PNDZS-1</b>	<b>B12B-PNDZS</b>	10.0(.394)	14.0(.551)	512
14	<b>B14B-PNDZS-1</b>	<b>B14B-PNDZS</b>	12.0(.472)	16.0(.630)	448
16	<b>B16B-PNDZS-1</b>	<b>B16B-PNDZS</b>	14.0(.551)	18.0(.709)	416
18	<b>B18B-PNDZS-1</b>	<b>B18B-PNDZS</b>	16.0(.630)	20.0(.787)	352
20	<b>B20B-PNDZS-1</b>	<b>B20B-PNDZS</b>	18.0(.709)	22.0(.866)	320
22	<b>B22B-PNDZS-1</b>	<b>B22B-PNDZS</b>	20.0(.787)	24.0(.945)	288
24	<b>B24B-PNDZS-1</b>	<b>B24B-PNDZS</b>	22.0(.866)	26.0(1.024)	288
26	<b>B26B-PNDZS-1</b>	<b>B26B-PNDZS</b>	24.0(.945)	28.0(1.102)	256
28	<b>B28B-PNDZS-1</b>	<b>B28B-PNDZS</b>	26.0(1.024)	30.0(1.181)	224
30	<b>B30B-PNDZS-1</b>	<b>B30B-PNDZS</b>	28.0(1.102)	32.0(1.260)	224
32	<b>B32B-PNDZS-1</b>	<b>B32B-PNDZS</b>	30.0(1.181)	34.0(1.339)	192
34	<b>B34B-PNDZS-1</b>	<b>B34B-PNDZS</b>	32.0(1.260)	36.0(1.417)	192
36	<b>B36B-PNDZS-1</b>	<b>B36B-PNDZS</b>	34.0(1.339)	38.0(1.496)	192
38	<b>B38B-PNDZS-1</b>	<b>B38B-PNDZS</b>	36.0(1.417)	40.0(1.575)	160
40	<b>B40B-PNDZS-1</b>	<b>B40B-PNDZS</b>	38.0(1.496)	42.0(1.654)	160

### Material and Finish

Post: Copper alloy, copper-undercoated, tin-plated

Wafer: Glass-filled nylon 66, UL94V-0, ivory

Note: The products listed above are corresponding to lead-free product.

<For reference> As the color identification, the following alphabet shall be put in the underlined part. For availability, delivery and minimum order quantity, contact JST.

ex. **B28B-PNDZS-1**

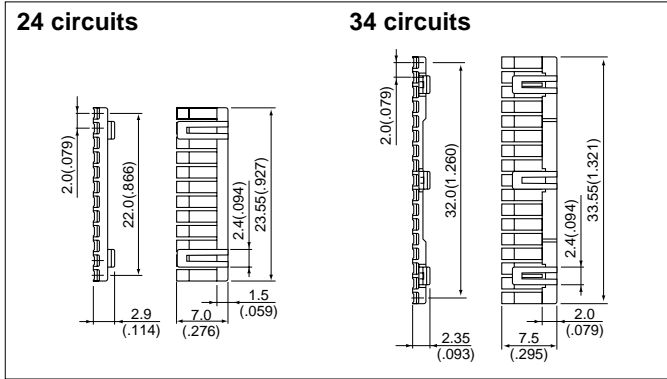
Z...ivory

K...black R...red E...blue M...green

N...brown PK...pink D...orange

# PND CONNECTOR

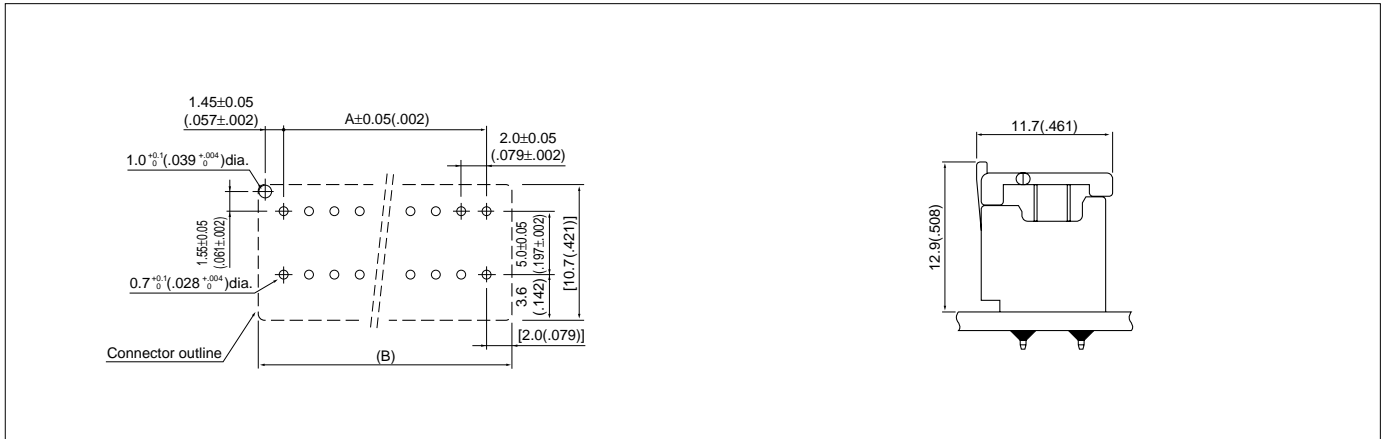
## Retainer



Circuits	Model No.	Q'ty / bag
24	<b>PNDS-24V-Z</b>	1,000
34	<b>PNDS-34V-Z</b>	1,000
<b>Material</b>		
Glass-filled nylon 66, UL94V-0, ivory		

Note: The products listed above are not UL/CSA approved.

## PC board layout (viewed from component side) and Assembly layout



- Note:
1. Tolerances are non-cumulative:  $\pm 0.05\text{mm}$  ( $\pm 0.002$ ") for all centers.
  2. Hole dimensions differ according to the kind of PC board and piercing method.  
The dimensions above should serve as a guideline. Contact JST for details.

## Applicator for the semi-automatic press AP-K2N

Contact	Crimp applicator MKS-L		Compact crimp applicator MKS-LS		Strip-crimp applicator MKS-SC
	with safety cover	without safety cover	with safety cover	without safety cover	with safety cover
<b>SPND-001T-C0.5</b>	APLMK SPND001-05	APLNC SPND001-05	APLMKLS SPND001-05	APLLSNC SPND001-05	-
<b>SPND-002T-C0.5</b>	APLMK SPAD/ND002-05	APLNC SPAD/ND002-05	APLMKLS SPAD/ND002-05	APLLSNC SPAD/ND002-05	-